

UNDER MODE OF DESPATCH

BHARATHIAR UNIVERSITY: COIMBATORE - 641 046

No.BU/R-D8/Botany-fur/D-8811/2022-23

Date :23.06.2022

TIME EXTENSION TENDER NOTICE

Date and Time is extended by the Registrar, Bharathiar University, Coimbatore 641 046 to submit the sealed tender for the Purchase of furniture for HOD room in the department of Botany in Bharathiar University at Coimbatore.

Tender Documents can be downloaded from our website: www.b-u.ac.in. and Government website : www.tenders.tn.gov.in From 23.06.2022 to 04.07.2022. The cost of the tender documents Rs.300+GST 18% extra and EMD Rs.4,000/- has to be enclosed in the form of DD or by bank challan in the Bank of India, Bharathiar University drawn in favour of "The Registrar, Bharathiar University, Coimbatore" while submitting the tender.

REGISTRAR i/c

BHARATHIAR UNIVERSITY COIMBATORE: 641 046

TENDER CONDITIONS AND INSTRUCTIONS FOR THE PURCHASE OF FURNITURE FOR HOD ROOM IN THE DEPARTMENT OF BOTANY IN BHARATHIAR UNIVERSITY, COIMBATORE.

- 1 Sealed Tenders will be received by the Registrar up to 3.00 p.m. on 04.07.2022 for the "Purchase of furniture for HOD room in the department of Botany in Bharathiar University at Coimbatore" as given in the schedule.
- 2 **The tender shall be submitted in a sealed cover superscribed as "Tender for the Purchase of furniture for HOD room in the department of Botany in Bharathiar University at Coimbatore due on 04.07.2022 at 3.00 p.m.**
- 3 **The tenders will be opened by the Registrar in the Registrar's Chamber at 4.00 p.m. on 04.07.2022 in the presence of tenderers who are present.**
- 4 Each tender shall be accompanied with an **EMD of Rs. 4,000/- (Rupees four thousand only) and Tender cost of Rs. 300+GST18% extra** in the form Bank of India Challan or DD drawn in one of the **Nationalized Banks** in the name of "Registrar, Bharathiar University" payable at Coimbatore. Cheques and Bank Guarantees will not be accepted. Tenders without EMD shall be summarily rejected. EMD will not carry any interest.
- 5 Tenders received late will be returned to the tenderer unopened.
- 6 The entries in the tender schedule shall be as far as possible without scoring, corrections and over writings and shall be legible. The unavoidable correction or scoring shall be attested by full signature of the tenderer. The tenderer should sign on each page of the tender document.
- 7 In the tender schedule the tenderer should quote his rates for each item separately in figures and words in the corresponding column.
- 8 If the rates quoted in the schedule differ in words and figures, the lowest quoted rate will be taken. The unit rates quoted in the schedule is those governing payment.
- 9 Taxes or any other charges if any shall be clearly mentioned specifying the percentage. If this is not specifically mentioned it will be taken that the rates quoted are nett.
- 10 **If the tenderers quotes the price with GST, should mention the valid GST registration Number along with the copy of the registration Certificate.**
- 11 The rate quoted shall be for delivery at University Campus.
- 12 No revision of rates at any cost will be accepted.
- 13 Tender documents are not transferable.
- 14 The tender shall be submitted only in this official form and the tenderers should sign on each page of the all tender documents and enclosed without any omission.
- 15 **The tender shall be valid for a minimum of 180 days from the date of opening.** Tenderer should not withdraw his tender after the tenders are opened. In case the tender is withdrawn after it opened, the EMD remitted will be forfeited.
- 16 The EMD of the unsuccessful tenders will be refunded immediately after the tenders are disposed of by the competent authority.
- 17 Successful tenderer shall remit a security deposit of 5% of the accepted tender order value and execute an agreement on Tamilnadu stamp paper to the value of Rs.100.00. Failure to execute the agreement within the stipulated time will entail in forfeiture of the EMD. Security Deposit will be refunded after audit/warranty period is over.

- 18 The material should be supplied within the stipulated period mentioned in the supply order. If the supply is not made within the period the supply order will be cancelled and EMD will be forfeited.
- 19 The materials quoted shall confirm **ISI standard**. The make of the materials shall be mentioned in the tender.
- 20 The tender is submitted subject to and agreeing to the above conditions. Original tender documents should be enclosed otherwise it will be liable for rejection.
- 21 Downloaded tender documents should be accompanied with tender cost and EMD in the form of DD drawn in favour of the Registrar, BU.
- 22 If the price in INR with GST taxes, should mention the valid local Sales Tax Registration/VAT Registration/CST Registration Numbers along with the copy of the Registration Certificate.
- 23 EMD and Tender Cost shall be exempted if the firm registered with MSME and NSIC. The Registration Certificate along with the terms and condition issued by the MSME and NSIC should be enclosed and highlighted to consider the exemption.
- 24 Net rate including excise duty, surcharge, sales tax, freight, insurance, delivery, installation and commissioning of the above work and such other levies that may be applicable. The bidder should clearly mentioned the details of their tax, customs and other charges, etc.
- 25 The rate should be quoted with specification, make and model if applicable and should be indicated clearly both in words and figures. Any scoring or overwriting should be attested by the tenderers with full signature. The rate quoted should be firm and should not be subjected to any variation clauses.
- 26 If the equipment is imported, Customs Duty, Clearance, delivery, transportation, Insurance charges should be mentioned clearly. The firm has to arrange the authorized customs clearing agent on behalf of University for customs clearance.
- 27 In case the tender is withdrawn after it opened, the EMD will be forfeited

Additional Documents: Please also attach with the quote the following documents:

- § ISO Certificate / Equivalent Certified company
 - § Number of service centers of the supplier in Tamilnadu/India.
 - § Number of years standing in the business.
 - § Average turnover in the last three years.
 - § Backup facility for the warranty period.
 - § Copy of Manufacturer License, PAN, TIN and GST Number.
 - § Certificates attained by the manufacturer.
 - § Company Profile.
 - § Manufacturer Authorization Form (MAF) from OEM (Original Equipment Manufacturer)
 - § Any other relevant details in support of the items specified
- 28 Any dispute arising out of this contract shall be settled only at the court having jurisdiction of Coimbatore.
 - 29 The authority competent to accept the tender reserves the right to reject or accept any tender without assigning any reasons thereof.

- 30 Regarding the acceptance of supply with reference to the specification and quality of materials supplied. The decision of University Registrar shall be final.
- 31 The University's general rules for the supply of the materials and works will apply on this purchase also.
- 32 The tender is governed by the Tamilnadu Tender Transparency Act 1998 and 2000 as amended from time to time.

Other Enclosures:

- v Attested copies of the Registration Certificate of the company.
 - v Audited Annual Financial Statements and Annual Report and Certified statement from the current Statutory Auditors of the bidder.
 - v Signed and stamped copy of the original tender document downloaded from the website along with its annexures/ corrigendum/ documents, etc.
 - v The copy of the GST registration certificate and copy of PAN.
 - v The annual turnover of the bidder for the last three financial years.
 - v Any other document.
- 33 The tender is submitted subject to and agreeing to the above conditions. Original tender documents should be enclosed otherwise it will be liable for rejection.
- 34 Downloaded tender documents should be accompanied with tender cost and EMD in the form of DD drawn in favour of the Registrar, BU.

Cost of Tender document (to be filled by the tenderer)			
DD/Challan No	Date	Amount	Bank

Details of EMD Amount (to be filled by the tenderer):			
DD/Challan No	Date	Amount	Bank

SIGNATURE OF THE TENDERER

MOBILE NO:

BHARATHIAR UNIVERSITY: COIMBATORE 641 046**Schedule For Purchase of furniture for HOD room in the department of Botany in
Bharathiar University at Coimbatore.**

Sl. No.	Specification	Qty. Req	Rate each	Total Amount Rs. (Nett)
1	<p>Executive table size : W2200 X D800 X H780mm Side Table size : 1010W X 500D X 650HT Main Table details. Made of Pre laminated particle board. Desk top made of 50mm thick Pre laminated particle board and edges covered with 2mm PVC lipping on all exposed edges. Modesty panel provide in front side of table made of 15mm thick pre laminated particle board of 450mm height. The table is fitted with 200mm wide aluminum flip up provision to mount switches and sockets. with telescopic hinge. Table Top Supporting Leg Details: One side of main table supported with fixed drawer(3Drawers). The storage top are made of 15 mm both side pre laminated particle board with 2mm PVC lipping around and bottom, around sides are 15mm both side pre laminated particle board. Three Drawers are fitted with Noiseless telescopic smooth heavy duty drawer rails (load capacity 65 kg.) (ISO certified); drawers with full opening and fitted with proper Branded locking arrangements and Leatherlite handle for opening drawers. Cupboard will have single drawers which are fitted with telescopic smooth runners and with proper locking arrangements. Front opening doors are fitted with telescopic hinge.</p> <p>Side Storage Table Details: The storage top are made of 15 mm both side pre laminated particle board with 2mm PVC lipping around and bottom, around sides are 15mm both side prelaminated particle board. Back panel are 9mm thick pre laminated particle board Side Storage Table Details: Size : 1010W X 500D X 650HT The storage top are made of 15 mm both side pre laminated particle board with 2mm PVC lipping around and bottom, around sides are 15mm both side prelaminated particle board. Back panel are 9mm thick pre laminated particle board.</p>	1 No		
2	<p>Storage Size : Size: 900L X 450D X 1800mmH. TOP: Made of E-1 Grade (Formaldehyde class) Pre laminated particle board of 25mm thick, Pre laminated particle board edges covered with 2mm PVC lipping on all exposed edges. Back panel: Made of E-1 Grade (Formaldehyde class) Pre laminated particle board. Table top made of 9mm thick Pre laminated particle board. Shutter: Made of E-1 Grade (Formaldehyde class) Pre laminated particle board. made of 18mm thick Pre laminated particle board and edges covered with 2mm PVC lipping on all exposed edges and drawers with full opening and fitted with good quality locking arrangements, cabinet hinges and Groove handle for opening drawers Accessories is all made of Epco brand.</p>	2 Nos		

Sl. No.	Specification	Qty. Req	Rate each	Total Amount Rs. (Nett)
3	<p>Storage Size : Size: 900L X 450D X 750mmH.</p> <p>TOP: Made of E-1 Grade (Formaldehyde class) Pre laminated particle board of 25mm thick, Pre laminated particle board edges covered with 2mm PVC lipping on all exposed edges.</p> <p>Back panel: Made of E-1 Grade (Formaldehyde class) Pre laminated particle board. Table top made of 9mm thick Pre laminated particle board.</p> <p>Shutter: Made of E-1 Grade (Formaldehyde class) Pre laminated particle board. made of 18mm thick Pre laminated particle board and edges covered with 2mm PVC lipping on all exposed edges and drawers with full opening and fitted with good quality locking arrangements, cabinet hinges and Groove handle for opening drawers Accessories is all made of Epco brand.</p>	1 No		
3	<p>Storage Size : Size: 750L X 450D X 750mmH.</p> <p>TOP: Made of E-1 Grade (Formaldehyde class) Pre laminated particle board of 25mm thick, Pre laminated particle board edges covered with 2mm PVC lipping on all exposed edges.</p> <p>Back panel: Made of E-1 Grade (Formaldehyde class) Pre laminated particle board. Table top made of 9mm thick Pre laminated particle board.</p> <p>Shutter: Made of E-1 Grade (Formaldehyde class) Pre laminated particle board. made of 18mm thick Pre laminated particle board and edges covered with 2mm PVC lipping on all exposed edges and drawers with full opening and fitted with good quality locking arrangements, cabinet hinges and Groove handle for opening drawers Accessories is all made of Epco brand.</p>	3 Nos		
5	<p>Executive Revolving High Back Mesh Senior chair with cushion seat and Mesh back with adjustable arm</p> <p>Base : The 640mm dia (26 inches) five pronged base is made out of GF nylon – Reinforced with bottom ribbing for additional buttress and strength. Tested prudently and rigorously as per ANSI/BIFMA X5.1-2011 General Purpose Office Chair Standards</p> <p>Castors - Castors - Twin Castors 50mm dia castors compling to ANSI / BIFMA X 5.1 – 2002</p> <p>Gaslift - Gaslift - Class 4 tested -ANSI BIFMA performance standards</p> <p>Seating Structure - Seat and back is made out of 12mm molded hot pressed plywood in ergonomic shape fitted with Imported T-nuts and revited in to the wood.</p> <p>Upholstery : Cushion with pre moulded foam of 50 - 60 density in the shape of plywood.</p> <p>Density -- 52 kg/m3</p> <p>Hardness -- 12.6kgf at 25%</p> <p>Mechanism - Distinctively and characteristically designed tilt mechanism offering a very smooth and fluidic reclining motion with tension adjust knob and importantly offering seat to back recline ratio of 3:7, optimal for good back support.Multilock mechanism is fabricated from CR Sheets, undergo through CO2 welding process imparting uniform surface finish and tensile strength</p>	1 No		

Sl. No.	Specification	Qty. Req	Rate each	Total Amount Rs. (Nett)
	<p>The components are processed with high degree of precision and care so as to assemble with other parts in perfect harmony to give smooth and effortless reclining experience. Tension springs are made out Grade II material conforming to Indian Standards. Also provided with release levers for locking mechanism and height adjustment of seat. Mechanism aides to operate the height adjustment, and has been equipped with 4 locking positions, back rest “ Return Prevention” function</p> <p>Headrest - Adjustable Headrest</p> <p>Back - Mesh fabric used for back upholstery With Unique Dynaflex Two Piece Back Construction , Dya Flex provides a comfortable cushioning that stimulates the spine & abdominal muscles to promote a healthy posture & back . Inbuilt body flex lumbar support that synchronises perfectly with your back in all positions of recline.</p> <p>Tension Control : - Tension control is below Seat</p> <p>Armrest - Moulded polyurethane Arms conforming to IS 7078 with steel inserts for long life. One way adjustable - Height Adjustable.</p> <p>Fabric - Seat is duly upholstered with approved fabric.</p>			
6	<p>Specifications: Visitor Chair.</p> <ul style="list-style-type: none"> • Frame :The Frame will be made out of ERW oval tube with 31X16 mm with 1.6 mm thickness pipe conforming to IS – 4923. Frame is welded by Co2 welding process for uniform finish conforming to IS 816. • Surface finish : Frame is powder coated to provide an attractive finish. It will be in black colour. The powder coating pre-treatment is carried out with three in one chemical. After pre-treatment process, the components are powder coated for better adhesion of paint. The frames are powder coated with epoxy polyester powder to the thickness of 40-60 microns as per IS 101 and oven baked at 180°. Product undergoes the following testing process for durability and functionality, cross cut test for ensuring adhesion of powder coating as per IS 13871. Powder coated products are durable & reduce the risk of scratches, chipping, abrasions, corrosion, fading and other wear issues. • Leg Bushes : Bushes moulded with PP. • Dimensions: Back width : 475mm , Total height : 1000 to 1100 mm, Back height- 570 mm. Seat width : 505 mm, Seat depth : 465 mm, Seat height : 465 to 565 mm. 	7 Nos		
	Nett amount of Rs.			
	NETT rate should be quoted.			

SIGNATURE OF THE TENDERER

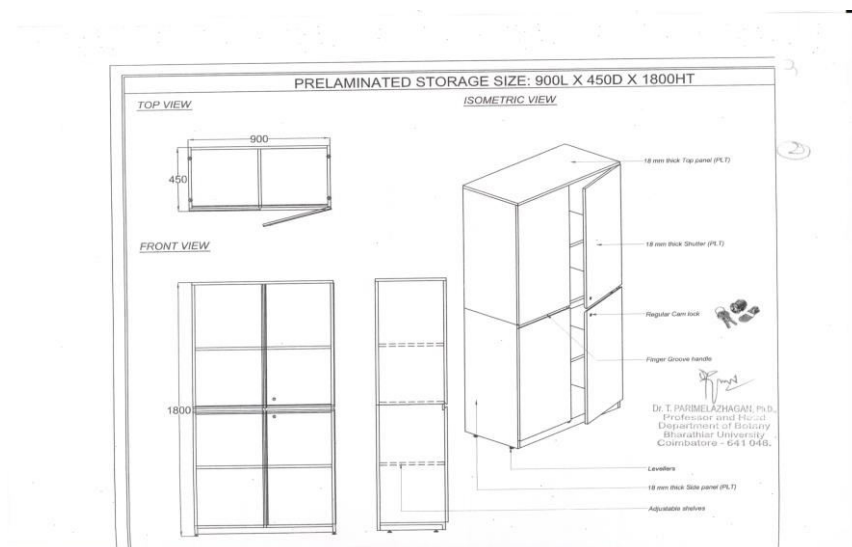
NOTE:

- 1 Please quote the price with make of the items, without make the tender will not be considered.
- 2 The University is eligible for exemption of Central Excise Duty as per Government Notification No: 10/97 Central Excise Dt. 1.3.97. Hence, the item price may be quoted separately (i.e.) unit price & taxes etc; only. The University will be given necessary exemption form for Central Excise. It is also eligible for Customs Duty exemption as per the Government Notification No: 51/96 Customs Dt. 23.06.1996.
- 3 The firm may be quoted the rate as per the tender specification, the rate quoted by the firm will be considered if it is only as per the tender specifications. If there is any deviation of specification from the tender specification, the tender will not be considered.
- 4 The Original tender form should be submitted to this office along with the tender schedule.

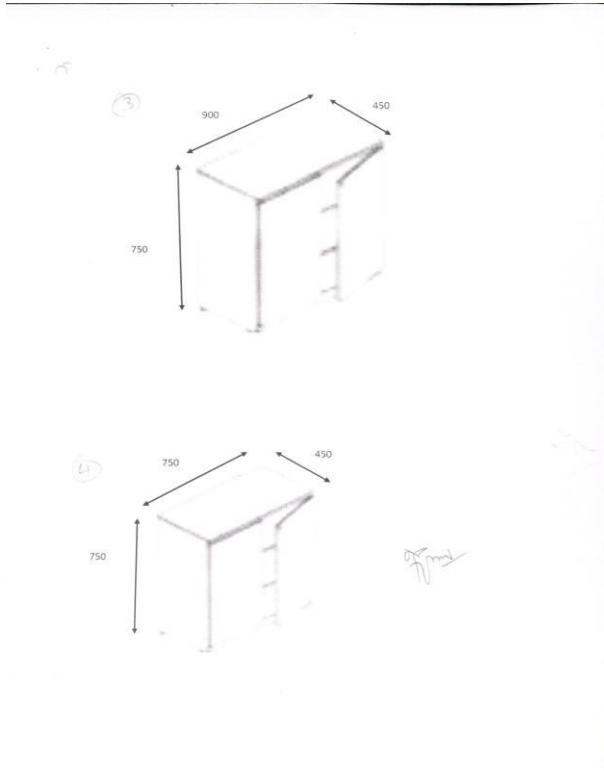
1



2



3 & 4



5



6

